

4" Continuum Linear LED - Pendant Mount (D/DI)

Housing: Continuous, 6063-T5 extruded aluminum profile 4" wide x 2', 4', 8' or 12' feet long. Standard plus custom lengths available. Systems more than 12' long, specify DMS plus the # of feet. Joined with connecting brace for ease of installation to assure a uniform appearance. 65% recycled materials.

Integral Electronic Driver: Electronic 15W per foot Max. 120V/277V or 347V input, 24V output. Active PFC to conserve power consumption. Over voltage, over current, over temperature and short circuit protection. EMI & RFI meets FCC part 15 (Class A) Auto Recovery. UL/CSA Listed.

PF>0.95, THD max<20%,. Auto recovery. UL Listed.
 0-10V Dimming Standard(except Trim Modules, dimming via ELV only). Optional DALI & ELV available with extended lead times. (see Dalume.com for compatible dimmers). Emergency 990 Lumen per 2 feet section options available.
Additional surge protection with this unit is recommended (supplied by others). Surge damage is not covered by warranty. Total wattage load is determined by the driver and number for modules used, please contact factory for details.

Mounting/Power Source:
 Universal mounting to any structural ceiling via Jbox. (1) 50" Power feed canopy kit per circuit and support kits provided. See page 3 for support spacing. All power source components accessible from below except to JBox.

Shielding

- High Performance frosted lens and filter to neutralize multi-shadow effect.
- Batwing **(BW)** In-Direct only.

Finishes: Standard interior color white. (Smooth Gloss: Cardinal T007-WH121/RAL9003). Custom colors **(CC)** are available, please specify RAL# or Cardinal Paint# Custom Wood finish, Consult factory for details.

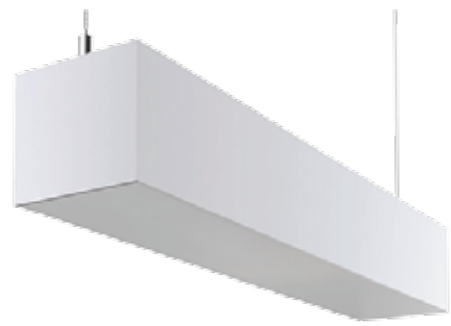
Optics: Premium binned LEDs provide exceptional reliability, performance and color consistency.

- High CRI of 80+ for accurate color presentation.
- Lumens Delivered :10W (700Lm) Module 15W (990Lm) Module per foot
- Color Temperatures : (+/- 100K) 3,000K, 3,500K, 4,000K, RGBW Color Changing
- L70 @ 80,000 hours with 25°C Ambient
- Beam Angle: 90° Horizontal x 85° Vertical

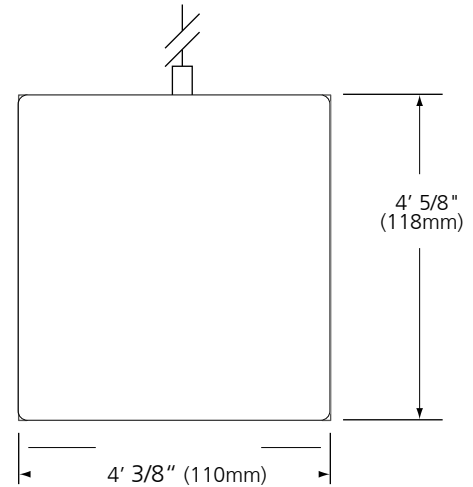
Weight: 2.5lbs. per foot.

Warranty: Complete 5 year Warranty. (See catalog for details).

Listing: ETL listed to UL Standards for dry or damp locations. Fixture suitable for wet location under canopy/covered ceilings with **"WL"** option



Channel Profile



LED Trim Module



Q6: 2" Square aperture with 0-20 degree internal positioning. Ideal for inconspicuous accent and down lighting.



Q7: Fully adjustable pull-down head for maximum aiming of 0-85 degree.



Q8: 2" Round gimbal. 0-35 degree positioning.

Ordering

Example: DMS18U10-35K-DI-OS1-Q6N-X2E9

CHANNEL	WATT/FT.	COLOR TEMP	MOUNTING OPT.	DRIVER	OPTIONS
DM2 :2 Ft.	-10 :10W (700Lm)	-30K* :3000K*	-D :Direct	Blank :0-10V Dimming	Blank :1 Circuit
DM4 :4 Ft.	-15 :15W (990Lm)	-35K :3500K	-DI :Direct/Indirect	-DL* :DALI Dimming	- C#_ :# Circuit°
DM8 :8 Ft.	U10 :15W DN / 10W UP	-40K :4000K	-DIBW :Direct/Indirect Batwing	-ELV*°:Electronic 12V Dimming*	- DS#_ :Daylight Sensor+°
DM12 :12 Ft.	U15 :10W DN / 15W UP	-RGBW :RGBW		-34D :347V 0-10V Dimming	- OS#_ :Occupancy Sensor+°
DMS_ :System Ft.					- EM#_ :Emergency Back-up°°
					- CC :Custom Color
					- WL :Wet Location

*Ext. Lead Time

*Ext. Lead Time
 °120V only

TRIM MODULE	BEAM	QUANTITY	TRIM SPACING
-Q6 :Accent+	VN :10° Deg	-X_ :# of trims grouped	E_ :# of feet
-Q7 :Pull Down+	N :20° Deg		
-Q8 :Gimbal+	F :36° Deg		

° :Specify Configuration Example
 °° :2' per EM pack (1400Lm)
 #_ :Specify Quantity per System
 + :Add 4.5" to Channel per Option

+ Add 4.5" to Channel per Trim
 600Lm / 80+ CRI, Dimming via ELV only

4" Continuum Linear LED - Pendant Mount (D/DI)

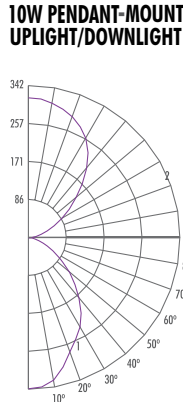
Performance

Trim Module

Q7 Pull-Down, Q8 Gimbal
 12W Module, 3000K/4000K
 Q7/Q8 Luminaire
 Luminaire Lumens : 600 per foot
 Luminaire Efficacy Rating (LER) : 50.0 %
 CRI: 80+

Narrow Spot (10°)

Distance to Floor	Beam Diameter (50% CBCP)	Foot-candles on Floor
3.0'	5.0'	856
6.0'	1.0'	214
9.0'	1.6'	95
12.0'	2.1'	54
15.0'	2.6'	34



OUTPUT PERFORMANCE

UPLIGHT/DOWNLIGHT

DM1-10-40K-DI
 10W Module, 4000K
 IESNA: LM-63-2002

Delivered Lumens : 1477
 Luminaire Efficacy : 66.0 Lm/W
 Total Luminaire Watts : 22.39

LUMINANCE (cd/sq.m)

ANGLE	AVG 0°	AVG 45°	AVG 90°
45°	4304	3315	4193
55°	3045	2404	2760
65°	1938	1331	1562
75°	1155	720	857
85°	633	371	309

ZONAL LUMEN SUMMARY

ZONE	LUMENS	ZONE	LUMENS
0			
0 - 10	32.15	50 - 60	92.32
10 - 20	89.17	60 - 70	56.87
20 - 30	125.66	70 - 80	30.04
30 - 40	137.04	80 - 90	13.10
40 - 50	124.55	90 - 100	14.79

10W PENDANT-MOUNT DOWNLIGHT

OUTPUT PERFORMANCE

DOWNLIGHT

DM1-10-40K-D
 10W Module, 4000K
 IESNA: LM-63-2002

Delivered Lumens : 703 per foot
 Luminaire Efficacy : 63.0 Lm/W
 CRI: 80+

LUMINANCE (cd/sq.m)

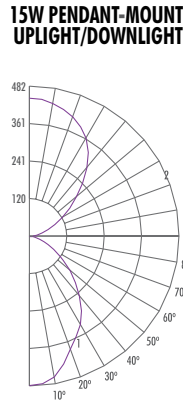
ANGLE	AVG 0°	AVG 45°	AVG 90°
45°	4304	3315	4193
55°	3045	2404	2760
65°	1938	1331	1562
75°	1155	720	857
85°	633	371	309

ZONAL LUMEN SUMMARY

ZONE	LUMENS	ZONE	LUMENS
0			
0 - 10	32.15	50 - 60	92.32
10 - 20	89.17	60 - 70	56.87
20 - 30	125.66	70 - 80	30.04
30 - 40	137.04	80 - 90	13.10
40 - 50	124.55	90 - 100	2.14

Narrow Flood (20°)

Distance to Floor	Beam Diameter (50% CBCP)	Foot-candles on Floor
3.0'	1.1'	422
6.0'	2.1'	106
9.0'	3.2'	47
12.0'	4.2'	26
15.0'	5.3'	17



OUTPUT PERFORMANCE

UPLIGHT/DOWNLIGHT

DM1-15-40K-DI
 15W Module, 4000K
 IESNA: LM-63-2002

Delivered Lumens : 2089
 Luminaire Efficacy : 64.0 Lm/W
 Total Luminaire Watts : 32.5

LUMINANCE (cd/sq.m)

ANGLE	AVG 0°	AVG 45°	AVG 90°
45°	6064	4671	5907
55°	4290	3387	3889
65°	2731	1876	2200
75°	1627	1014	1208
85°	891	523	436

ZONAL LUMEN SUMMARY

ZONE	LUMENS	ZONE	LUMENS
0			
0 - 10	45.30	50 - 60	130.08
10 - 20	125.65	60 - 70	80.13
20 - 30	177.06	70 - 80	42.33
30 - 40	193.09	80 - 90	18.46
40 - 50	175.48	90 - 100	20.98

15W PENDANT-MOUNT DOWNLIGHT

OUTPUT PERFORMANCE

DOWNLIGHT

DM1-15-40K-D
 15W Module, 4000K
 IESNA: LM-63-2002

Delivered Lumens : 991 per foot
 Luminaire Efficacy : 61.0 Lm/W
 CRI: 80+

LUMINANCE (cd/sq.m)

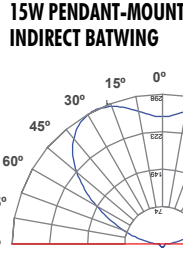
ANGLE	AVG 0°	AVG 45°	AVG 90°
45°	6064	4671	5907
55°	4290	3387	3889
65°	2731	1876	2200
75°	1627	1014	1208
85°	891	523	436

ZONAL LUMEN SUMMARY

ZONE	LUMENS	ZONE	LUMENS
0			
0 - 10	45.30	50 - 60	130.08
10 - 20	125.65	60 - 70	80.13
20 - 30	177.06	70 - 80	42.33
30 - 40	193.09	80 - 90	18.46
40 - 50	175.48	90 - 100	3.02

Flood (36°)

Distance to Floor	Beam Diameter (50% CBCP)	Foot-candles on Floor
3.0'	1.9'	178
6.0'	3.9'	44
9.0'	5.8'	20
12.0'	7.8'	11
15.0'	9.7'	7



OUTPUT PERFORMANCE

BATWING/DIRECT

DM1-15-40K-BW
 15W Module, 4000K
 IESNA: LM-63-2002

Delivered Lumens : 1013
 Luminaire Efficacy : 100%
 Total Luminaire Watts : 32.5

ZONAL LUMEN SUMMARY

Zone	Lumens	%Lamp	%Fixt
0-30	241.54	23.8	23.8
0-40	421.68	41.6	41.6
0-60	781.73	77.2	77.2
0-90	978.42	96.6	96.6
90-120	17.27	1.7	1.7
90-130	22.1	2.2	2.2
90-150	29.71	2.9	2.2
90-180	34.61	3.4	3.4
0-180	1013.03	100	100

ZONAL LUMEN SUMMARY

ZONE	LUMENS	ZONE	LUMENS
0°			
0 - 10	24.9		
10 - 20	79.76		
20 - 30	136.88		
30 - 40	180.12		
40 - 50	192.93		
50 - 60	167.14		
60 - 70	114.96		
70 - 80	60.61		
80 - 90	21.12		
90 - 100	6.41		
100 - 110	5.59		
110 - 120	5.27		
120 - 130	4.84		
130 - 140	4.19		
140 - 150	3.41		
150 - 160	2.62		
160 - 170	1.69		
170 - 180	.59		

Mounting: Pendant

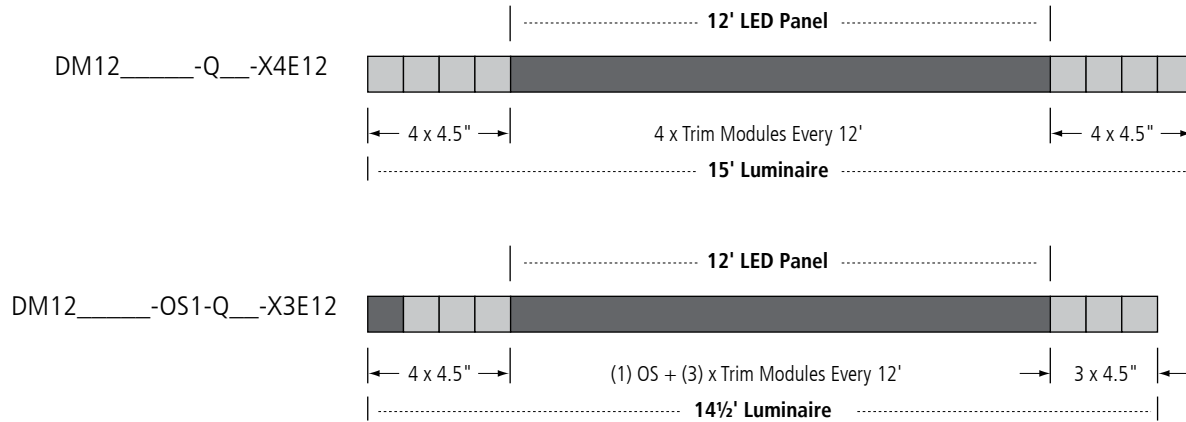
4000K Linear Performance per foot 3500K* = 0.97, 3000K = 0.94 multiplier

☒ Direct ☒ Indirect

MODULE	DIRECTION	LUMENS*	LER	W/FOOT	AMP/FOOT (120V/277V)
10W	10W☒	703	63	11.19W	.093/.043
15W	15W☒	991	61	16.25W	.135/.059
10W Dir/Ind.	10W☒ 10W☒	1477	66	22.39W	.187/.081
15W Dir/Ind.	15W☒ 15W☒	2089	64	32.50W	.270/.117
10U Dir/Ind.	10W☒ 15W☒	1764	64	27.44W	.229/.099
10U Dir/Ind.	15W☒ 10W☒	1804	66	27.44W	.229/.099

4" Continuum Linear LED - Pendant Mount (D/DI)

Example Configuration Layout



Occupancy & Daylight Sensor

Trim Module

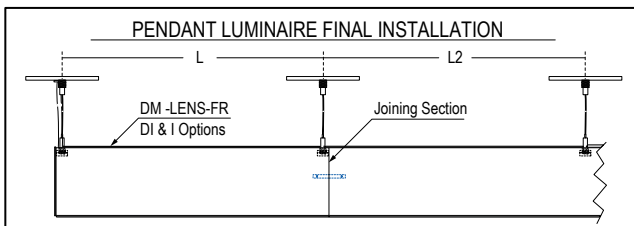
OS Option offers a 360° PIR (passive infrared) occupancy sensor designed for detection of small motion and walking motion. Ideal for small rooms or offices without obstruction or areas with primarily walking motion (e.g. corridors, library stacks).

DS Option optional integrated photocell enables daylight harvesting control via programmable Push-Button and other features such as:

- 120V-277VAC (Single Phase)
- 0-10V Dimming Controls Compatible
- 15° Lens Rotation - enables adjustment after installation
- Push Button Programmable
- Adjustable Time Delay
- Non-Volatile Settings Memory
- UL and CUL Listed
- Title24 Compliant

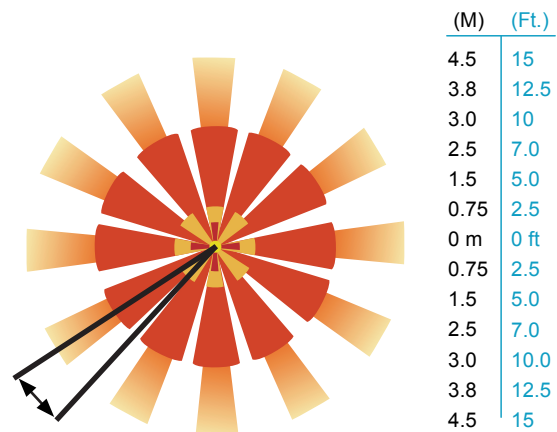
Coverage Pattern

- At the 7.5 ft. (2.29 m) height of a typical pendant mount fixture the sensor provides 10 ft. (3.05 m) radial detection of small motion. At a 9 ft. (2.74 m) height the radius is 12 ft. (3.66 m) for small motion.
- Adequate for walking motion detection from mounting heights between 7.5 ft. (2.29 m) and 20 ft. (6.10 m).
- Initial detection will occur earlier when walking across sensor's field of view than when walking directly at sensor.
- Initial detection of walking motion into long coverage segment will occur at distances of 2x the mounting height up to 15 ft. (4.57 m) and 1.75x up to 20 ft. (6.10 m). Lens assembly rotates 15° to enable adjustment in order to line up long segments.



Luminaire Length	# of Supports Equally Spaced	Center to Center Length (L)	Center to Center Length (L2)	Mounting Application
2 ft	2	23.0"	24.0"	
3 ft		36.0"	36.0"	
4 ft		47.0"	48.0"	
5 ft		69.0"	60.0"	
6 ft		71.0"	72.0"	
7 ft		83.0"	84.0"	
8 ft	3	95.0"	96.0"	
9 ft		53.5"	54.0"	
10 ft		59.5"	60.0"	
11 ft		65.5"	66.0"	
12 ft		71.5"	72"	

7.5 ft. Mounting Height



Lens rotates 15° to enable adjustment

2017.24.01

4" Continuum Linear LED - Surface Mount

Custom Finishes (Wood Grain & Solid)

Dalume's Continuum Linear System is engineered with a heavy gauge 6063-TS extruded aluminum and is offered in standard White powder coat finish. Custom wood pattern finishes may be applied in addition to solid color tones.



LIGHT MAPLE:

Modern & clean wood grain finish fuses well light colored room themes.

<
Specify:
CC-LM



MEDITERRANEAN:

Warm wood grain finish fuses well earth tone room themes.

<
Specify:
CC-Med



REDWOOD:

Deep Redwood grain finish fuses well with dark colored room themes.

<
Specify:
CC-RW



DARK WHEAT:

Bold and bright grain finish is versatile with light & dark colored room themes.

<
Specify:
CC-DW



NAT'L WALNUT:

Brown grain finish fuses well with mid-tone colored room themes.

<
Specify:
CC-NW



CUSTOM COLOR:

A solid paint palette to match any creative room.

<
Specify:
CC-

Ral or Pantone color code

2017.24.01