

2" Continuum Linear LED Recessed Mount (RS/RG) 350lm-1340lm (5W-18W)

Housing: Continuous, 6063-T5 extruded aluminum with a minimalistic profile of 2" wide x 2', 4', 8' feet long standard plus custom lengths available. Systems more than 8' long, specify DMCS_plus the # of feet. Joined with connecting brace for ease of installation to assure a uniform appearance. LEED compliant. 65% recycled materials.

Remote Electrical Enclosure: 18W per foot Max. 120V/277V or 347V input. r Active PFC to conserve power consumption. Over voltage, over current, over temperature and short circuit protection. EMI & RFI meets FCC part 15 (Class A) Auto Recovery. UL/CSA Listed.

Enclosure mounted above ceiling via bar hangers or EMT. 0-10V Dimming Standard. Optional DALI and ELV available with extended lead times. (see Dalume.com for compatible dimmers). Emergency Back-up options available. *Additional surge protection with this unit is recommended (supplied by others). Surge damage is not covered by warranty. Total wattage load is determined by the driver and number for modules used, see page 2 for details.*

Mounting/Power Source:

Universal mounting to any structural wall. 3/8" spacing from wall. All power source components accessible from Remote Electrical Enclosure. 50' or less distance luminaire with 16 AWG wire. 1'x4' mounting J-Box included with (8) 1/2" KO's. See drop voltage chart for longer distances.

Shielding

- Standard High Performance frosted lens to neutralize multi-shadow effect.
- 1/2" Regressed frosted lens **(H)**
- 30° Wallwash **(WW)**
- 2" Drop Lens **(2DP)**

Finishes: Standard interior color white. (Smooth Gloss: Cardinal T007 -WH121/RAL9003). Custom colors **(CC)** are available, please specify RAL# or Cardinal Paint#. Wood Grain finishes available, see page 4

Optics: Premium binned LEDs provide exceptional reliability, performance and color consistency.

- High CRI of 80+ for accurate color presentation. Consult factory of 90+ CRI.
- Lumens Delivered :12W (835lm) / 18W (1340lm) Module per foot
- Color Temperatures (+/- 100K) 2,700K, 3,000K, 3,500K, 4,000K, Color Changing RGBW 4W or 8W per foot.
- L70 @ 80,000 hours with 25°C Ambient

Weight: 1.5lbs. per foot.

Warranty: Complete 5 year Warranty.

Listing: ETL listed to UL Standards for dry or damp locations. all the same but with WMDI but difference in Lineart

Made in USA

Ordering

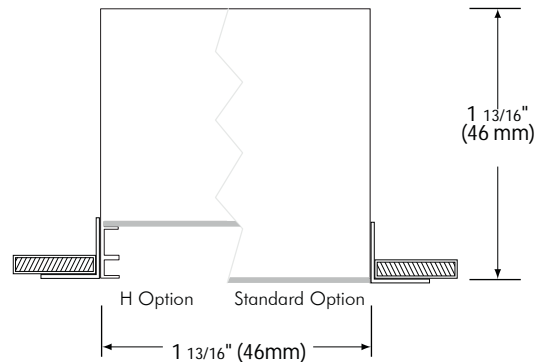
Example: DMC812-40K-WW-RG

CHANNEL	WATT/FT	COLOR TEMP.	LENS/SHIELDING	MOUNTING	REMOTE DRIVER	OPTIONS
DMC2 :2 Ft	-05 :5W (350lm)	-27K : Incandescent White ^{1*}	-Blank : Frosted Lens	-RS :Trimless	-Blank : 120/277V	-Blank : 1 Circuit
DMC4 :4 Ft	-12 :12W (835lm)	-30K : Warm White ^{1*}	-H : Regressed Lens ²	-RG :Grid	-DL : DALI Dim.*	-C# : #Circuits
DMC8 :8 Ft	-18 :18W (1340lm) ³	-35K : Neutral White	-WW : Wallwash		-ELV : 120V Dim.	-EM#_ : EM Back-Up*
DMCS_ :per / #Ft.		-40K : Cool White	-0.5DP : 0.5" Lens		-34D : 347V 0-10V Dim.*	-34D* : Custom Color*
		-RGBW : Color Changing*	-2DP : 2" Drop Lens			

CUSTOM PRODUCT



Channel Profile



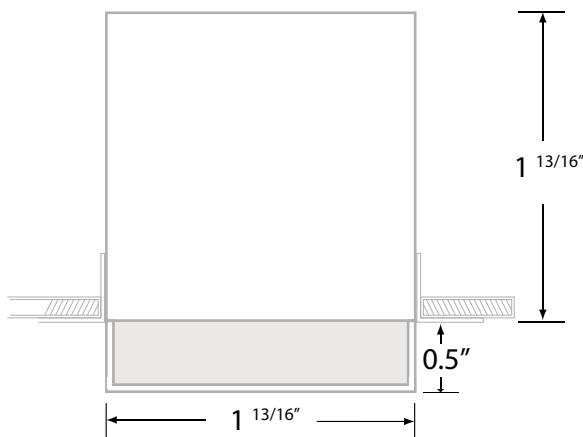
2022.10.25

2" Continuum Collection - Recessed Mount

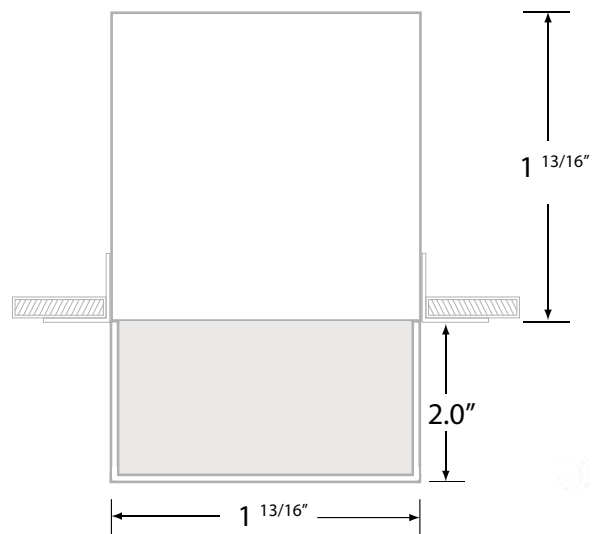
2" Continuum Linear LED Recessed Mount (RS/RG) 350lm-1340lm (5W-18W)

Channel Profile (continued)

CUSTOM PRODUCT



Channel Profile: 0.5 DP Option (Direct)



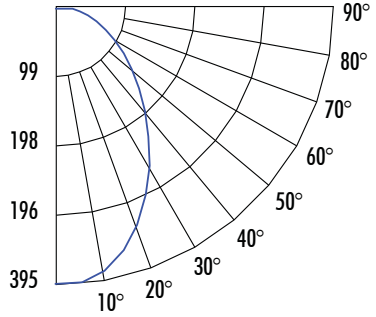
Channel Profile: 2 DP Option (Direct)

2" Continuum Linear LED Recessed Mount (RS/RG) 350lm-1340lm (5W-18W)

Performance

1 Foot Section

12W RECES-MOUNT DIRECT



OUTPUT PERFORMANCE

DIRECT

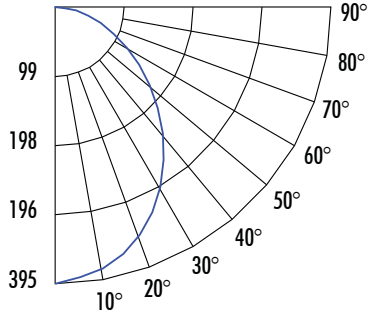
DMC1-12-40K-D
 12W Module, 4000K
 IESNA: LM-79-08

Delivered Lumens: 835 per foot
 Luminaire Efficacy (LER): 64.0%
 CRI: 80+

Luminance (cd/sq.m)			
Angle	Average 0°	Average 45°	Average 90°
45°	17672	9499	7727
55°	14433	6764	5409
65°	11253	4576	3685
75°	7843	2751	2315
85°	3589	1204	1170

Zonal Lumen Summary	
	0°
0 - 10	37.00
10 - 20	101.81
20 - 30	142.25
30 - 40	153.36
40 - 50	140.81
50 - 60	114.09
60 - 70	81.10
70 - 80	47.56
80 - 90	17.07
90 - 100	24.26

18W RECESS-MOUNT DIRECT



OUTPUT PERFORMANCE

DIRECT

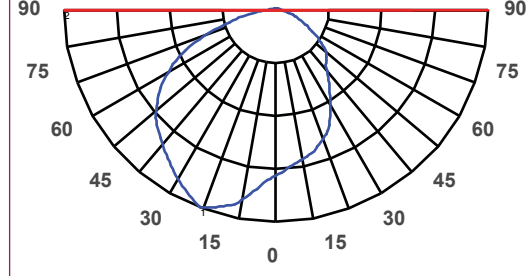
DMC1-18-40K-D
 18W Module, 4000K
 IESNA: LM-79-08

Delivered Lumens: 1287 per foot
 Luminaire Efficacy (LER): 66.0%
 CRI: 80+

Luminance (cd/sq.m)			
Angle	Average 0°	Average 45°	Average 90°
45°	27210	14668	11929
55°	22227	10415	8353
65°	17404	7067	5687
75°	12033	4243	3549
85°	5590	1854	1827

Zonal Lumen Summary	
	0°
0 - 10	57.09
10 - 20	156.98
20 - 30	219.32
30 - 40	236.45
40 - 50	217.05
50 - 60	175.87
60 - 70	125.05
70 - 80	73.30
80 - 90	26.33
90 - 100	37.36

12W SURFACE-MOUNT WALLWASH



OUTPUT PERFORMANCE

Wallwash

DMC1-12-WW-40K-S
 12W Module, 4000K
 IESNA: LM-79-08

Delivered Lumens: 962 per foot
 Luminaire Efficacy (LER): 100.1%
 CRI: 80+

Zonal Lumen Summary			
Zone	Lumens	%Lamp	%Fixt
0-30	254.9	26.5	26.5
0-40	412.25	42.9	42.8
0-60	735.03	76.45	76.4
0-90	941.53	97.9	97.8
90-120	13.97	1.5	1.5
90-130	16.5	1.7	1.7
90-150	19.84	2.1	1.7
90-180	21.17	2.2	2.2
0-180	962.69	100.1	100

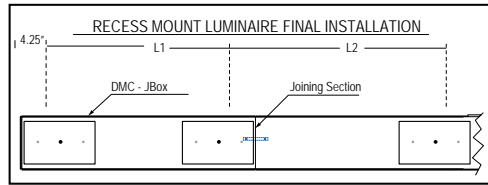
Zonal Lumen Summary	
	0°
0 - 10	24.9
10 - 20	79.76
20 - 30	136.88
30 - 40	180.12
40 - 50	192.93
50 - 60	167.14
60 - 70	114.96
70 - 80	60.61
80 - 90	21.12
90 - 100	6.41
100 - 110	5.59
110 - 120	5.27
120 - 130	4.85
130 - 140	4.19
140 - 150	3.41
150 - 160	2.62
160 - 170	1.69
170 - 180	.59

2022.10.25

MODULED	DIRECTION	LUMENS*	W/FOOT	AMP/FOOT
12W	Direct	835	13.15W	.109/.047
18W	Direct	1287	19.50W	.162/.070

2" Continuum Linear LED Recessed Mount (RS/RG) 350lm-1340lm (5W-18W)

Mounting/Installation



Luminaire	Length (Nom. Ft.)	End to End*	Equally Spaced	Length (L1)	Length (L2)	Mounting Application
DMC1	1'	12"	1	6"	n/a	
DMC2	2'	24"	2	15.5"	n/a	
DMC3	3'	35.2"	2	26.7"	n/a	
DMC4	4'	46.8"	2	38.3"	n/a	
DMC5	5'	58.4"	2	49.9"	n/a	
DMC6	6'	70"	2	61.5"	70"	
DMC7	7'	81.6"	2	73.1"	81.6"	
DMC8	8'	93.2"	2	84.7"	93.2"	
DMC9	9'	104.8"	2	96.3"	104.8"	
DMC10	10'	116.4"	2	107.9"	116.4"	

Lengths >10, consult factory for exact measurements. *Tolerance +/-0.2"

Remote Electrical Enclosure

Application Note

Several factors determine compatibility between a specific driver and Continuum luminaire, including LED output, fixture length and dimming control input (if applicable). Match similar wire label markings to one another as set by factory, if you have any questions, consult factory.

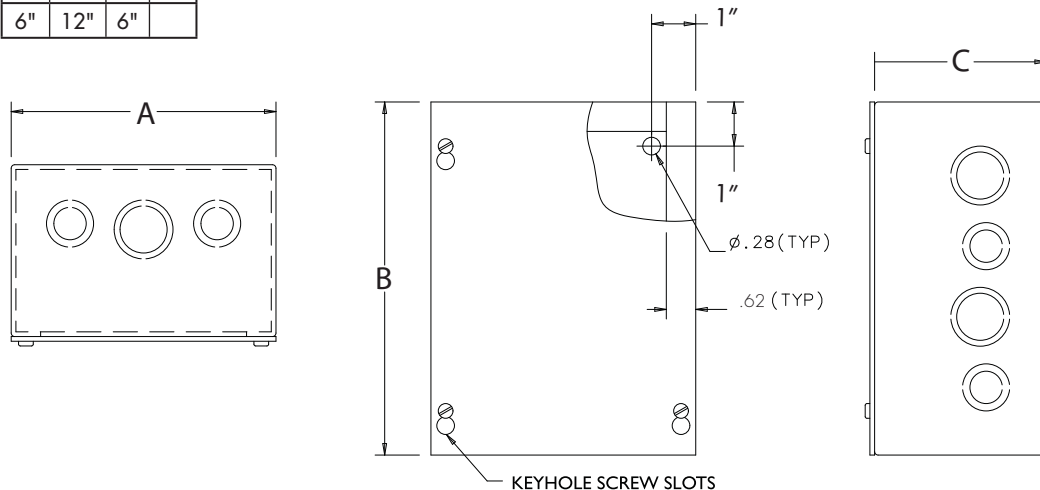
Driver Enclosure

Several factors determine compatibility between a specific driver and Continuum luminaire, including LED output, fixture length and dimming control input (if applicable). Match similar wire label markings to one another as set by factory, if you have any questions, consult factory.

Part:

A	B	C	
6"	12"	6"	

DCR-6-12-6BX:



2022.10.25

2" Continuum Linear LED Recessed Mount (RS/RG) 350lm-1340lm (5W-18W)

Custom Finishes (Wood Grain & Solid)

Dalume's Continuum Linear System is engineered with a heavy gauge 6063-TS extruded aluminum and is offered in standard White powder coat finish. Custom wood pattern finishes may be applied in addition to solid color tones.



LIGHT MAPLE:
Modern & clean wood grain finish fuses well light colored room themes.

<
Specify:
CC-IM



MEDITERRANEAN:
Warm wood grain finish fuses well earth tone room themes.

<
Specify:
CC-Med



REDWOOD:
Deep Redwood grain finish fuses well with dark colored room themes.

<
Specify:
CC-RW



DARK WHEAT:
Bold and bright grain finish is versatile with light & dark colored room themes.

<
Specify:
CC-DW



NAT'L WALNUT:
Brown grain finish fuses well with mid-tone colored room themes.

<
Specify:
CC-NW



CUSTOM COLOR:
A solid paint palette to match a

2022.10.25