

DLP6

FRAMING (DLP61L)

A: LENGTH	11 1/4"
B: WIDTH	7 3/8"
C: HEIGHT	7 1/8"

CEILING OPENING (DLP61L)

D: LENGTH	6"
E: WIDTH	5 1/8"

FRAMING (DLP62L)

A: LENGTH	15 1/2"
B: WIDTH	7 3/8"
C: HEIGHT	7 1/8"

CEILING OPENING (DLP62L)

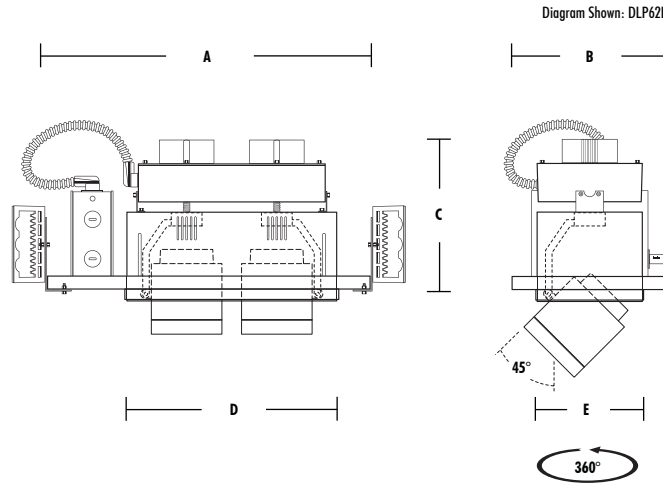
D: LENGTH	10 1/4"
E: WIDTH	5 1/8"

FRAMING (DLP63L)

A: LENGTH	19 3/4"
B: WIDTH	7 3/8"
C: HEIGHT	7 1/8"

CEILING OPENING (DLP63L)

D: LENGTH	14 5/8"
E: WIDTH	5 1/8"



Consult factory for updated specifications

Application: Perfect for retail and other areas that require multiple adjustable illumination in a single unit.

Construction: Cast housing and square trim is made of heavy gauge 2.5mm steel. Powder coat finish in white or black. Each die-cast gimbal rotates 360° degree and tilts 0-45° x 40° degrees.

Driver: Electronic direct current U.L. listed driver mounted away from LED array for cool operation and end-of-life modularity. Comes standard with 120V or 277V AC input with optional ELV dimming.

Optics: Single LED light source provides crisp focus without the shadow striations or cluster lamp image. Precision optics provide 23° Narrow Flood (NFL) or 37° Flood (FL) beam control for versatile merchandising options.

LM79 Performance: 15W output, 85+ CRI, 1000+ output lumens per head, 67lm/w efficacy 3,000K/4,000K available +/- 175K.

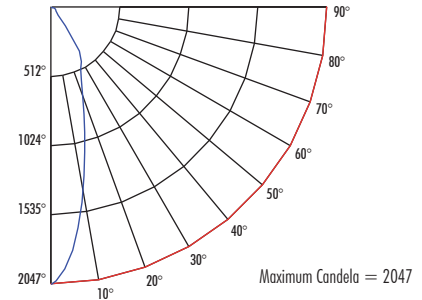
Thermal Management: Heat dissipation facilitated by integral aluminum heat sink to maximize heat rejection.

Mounting: Butterfly brackets accept 1/2" EMT, C channel, T-bar fasteners and bar hangers. Four tabs on housing for securing to structure. Can be installed to sheet rock or suspended in ceiling applications.

Junction Box: Listed for through branch wiring, 6 #12 90°C supply conductors or 60°C for end run. Thermal protection.

Labels: ETL listed to UL standard (pending) for non-type IC applications, suitable for use in damp locations. Access above ceiling is not required.

IESNA LM-63-2002
DLP61L-15-30K-FL-120-W
 NARROW FLOOD DISTRIBUTION (NFL)
 Delivered Lumens: 1009
 Luminaires Efficacy Rating (LER): 67
 Total Luminaire Watts: 15.15



LUMINANCE DATA (cd./sq.m)

ANGLE°	Avg. 0-Deg	Avg. 45-Deg	Avg. 90-Deg
45	19478	19478	19478
55	16244	16244	16244
65	15337	15337	15337
75	17217	17217	17217
85	30212	30212	30212

ZONAL LUMEN SUMMARY

ZONE	LUMENS	%LAMP	%FIXT
0-30	644.90	N/A	63.90
0-40	818.70	N/A	81.10
0-60	921.90	N/A	91.40
0-90	1009.11	N/A	100.00

ZONAL LUMEN SUMMARY

Zone	Lumens
0-10	132.47
10-20	279.55
20-30	232.88
30-40	173.79
40-50	69.87
50-60	33.33
60-70	36.99
70-80	27.79
80-90	22.43

Example: DLP61L-15-31FL-277-W

Ordering	LAMPING	WATTAGE	COLOR TEMP	BEAM SPREAD	VOLTAGE	FINISH
DLP6	1L :1 Lamp 2L :2 Lamp 3L :3 Lamp	-15 15W	-30K :3000K -40K :4000K	NFL 23° FL 37°	-120 120V -120D 120V Dimming -277 277V -277D 277V Dimming	-B Black -W White

2011.9.01