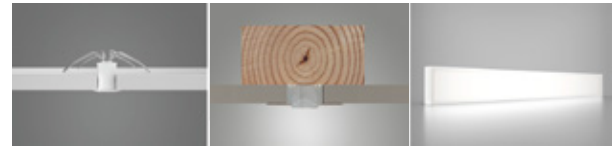


PROJECT NAME: \_\_\_\_\_ DATE: \_\_\_\_\_  
 CATALOG#: \_\_\_\_\_ TYPE: \_\_\_\_\_



# 1" Continuum Linear LED - Recessed & Surface



## APPLICATION

Indoor damp or dry locations only. Ideal for installation in both Walls and Ceilings in Modern minimalist spaces including Education, Retail Office Residential, and Hospitality.

## DESCRIPTION

Slim and sleek LED system features low profile aluminum extrusion with white diffusing lens to deliver a pure shadow-free hotspot-free channel of light.

## RECESSED MOUNTING W/ VISIBLE FLANGE

The **(RS)** system may be secured directly into walls and ceilings as thin as to 5/8" drywall without interference with structural joint studs. Perfect for New and Remodel Construction.

## RECESSED MOUNTING W/SPACKLE FLANGE

The **(RV)** system may be secured directly into surfaces up to 1" inch thick with tool-free mounting clips for ease of installation and maintenance in New or Remodel Construction. Must allow 3" spacing with any type of insulation.

## SURFACE MOUNTING

Equipped with screw in mounting clips onto any Structural surface **(S)**.

## PERFORMANCE/OPTICS

3 LED lumen output packages available for various applications and multiple Color Temperature options. LED boards are protected from environmental dust and moisture with white snap-in lens.

## REMOTE POWER SUPPLY

120-277V, or 347V input, 120V/277V MLV, 0-10V, DALI dimming protocols. Surface mount remote electrical enclosure with multiple knockouts & removable access plate for maintenance. Pre-wired In/Out wiring terminals for clean and easy installation. Recommended 75' or less distance to luminaire with 16 AWG wire. See Power Source Specifications for longer distances and other details. For recessed recessed enclosure, consult factory.

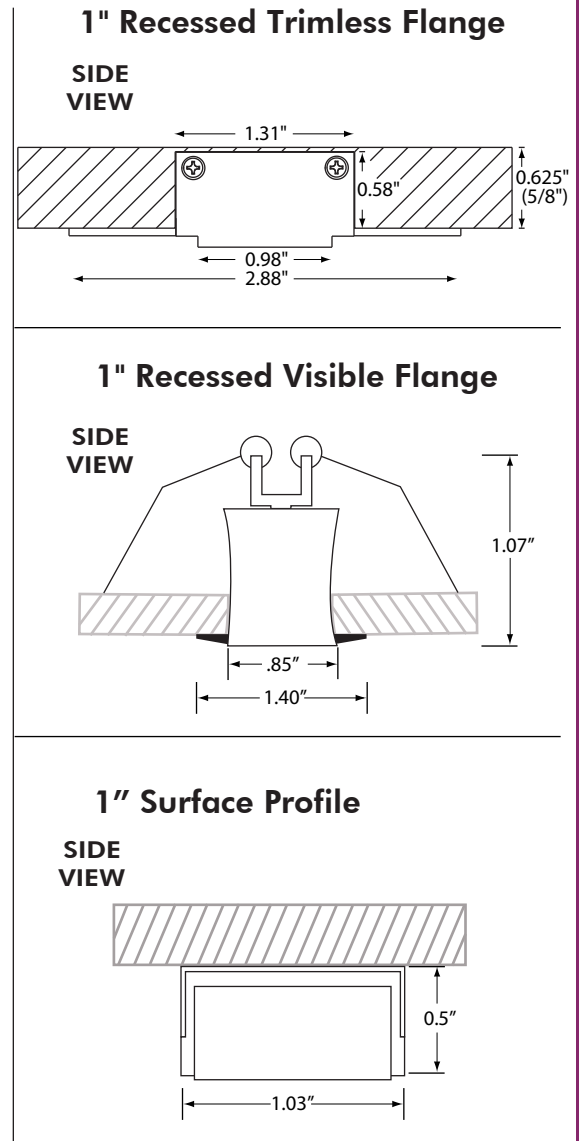
## FINISHES

Standard interior color white. (Semi Gloss: Cardinal T007-WH121/RAL9003) white. For custom RAL colors **(CC)** are available, please specify RAL# or Cardinal Paint#

**LISTING** ETL /cETL listed to UL Standards for dry or damp locations.

**WARRANTY** 5-year factory warranty.

**Made to order in USA.**



## Ordering:

Example: DCR-8-4W-30K-S-UD

Ordering	Channel Length	Lumen Package per Ft.	COLOR TEMP	MOUNTING	REMOTE DRIVER	OPTIONS
DCR	1: 1 Ft. 2: 2 Ft. 4: 4 Ft. 8: 8 Ft. _:X Ft.	-4W: -9W: -12W:	-AMB: Warm Amber* + -27K: Incandescent White ** + -30K: Warm White * -35K: Neutral White -40K: Cool White -RGBW: Color Changing +	-RS: Recessed Flange-less -S: Surface Mount -RV: Recessed Flange	-UD: -0-10V (120/277V) -MLV: 120V Dim + -34V: 347V -DL: DALI	-CC*: Custom Color* -EM: EM Back-Up++

X - Specify channel length to 2" increments as to foot decimals  
 Example 4" Length to be .33'

\*: Extended lead time  
 +: 12W per ft, not available.  
 ++: Not available for MLV drivers.

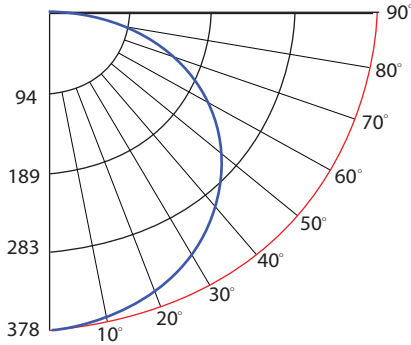
PROJECT NAME: \_\_\_\_\_ DATE: \_\_\_\_\_  
 CATALOG#: \_\_\_\_\_ TYPE: \_\_\_\_\_

# 1" Continuum Linear LED - Recessed & Surface

## RECESSED VISIBLE FLANGE (RV)

### PERFORMANCE

IES INDOOR REPORT TOTAL RATED LUMENS 1090/Ft. @12W  
 DCR1-12-35K-RV.IES



### LUMINANCE DATA (cd/sq.m)

Angle In Degrees	Ave rage 0-Deg	Ave rage 45-Deg	Ave rage 90-Deg
45	50400	40985	38233
55	48270	36389	33237
65	46219	31096	27615
75	44358	24219	20613
85	48504	14487	11405

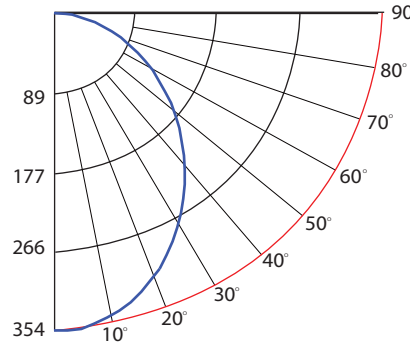
### CONE CHART

Height (FT)	Beam Diameter	Foot Candle
6.0'	16.5'	10.5
8.0'	22.1'	5.9
10.0'	27.6'	3.8
12.0'	33.1'	2.6
14.0'	38.6'	1.9

## RECESSED SPACKLE FLANGE (RS)

### PERFORMANCE

IES INDOOR REPORT TOTAL RATED LUMENS 900/Ft. @12W  
 DCR1-12W-35K-RS-UD.IES



### LUMINANCE DATA (cd/sq.m)

Angle In Degrees	Ave rage 0-Deg	Ave rage 45-Deg	Ave rage 90-Deg
45	35694	35694	35694
55	33028	33028	33028
65	30431	30431	30431
75	27708	27708	27708
85	29432	29432	29432

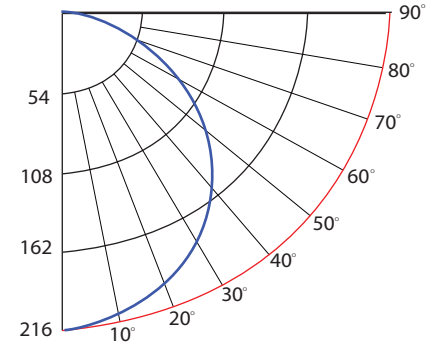
### CONE CHART

Height (FT)	Beam Diameter	Foot Candle
8.0'	19.1'	5.5
9.0'	21.5'	4.4
10.0'	23.9'	3.5
12.0'	28.7'	2.5
14.0'	33.4'	1.8

## SURFACE MOUNT (S)

### PERFORMANCE

IES INDOOR REPORT TOTAL RATED LUMENS 833/Ft. @12W  
 DCR1-12-35K-S.IES



### LUMINANCE DATA (cd/sq.m)

Angle In Degrees	Ave rage 0-Deg	Ave rage 45-Deg	Ave rage 90-Deg
45	57798	47183	44218
55	54772	41400	37932
65	51089	34419	30591
75	46008	24933	20973
85	36629	10788	8123

### CONE CHART

Height (FT)	Beam Diameter	Foot Candle
6.0'	16.4'	8.5
8.0'	21.8'	4.8
10.0'	27.3'	3.1
12.0'	32.7'	2.1
14.0'	38.2'	1.6

PROJECT NAME: \_\_\_\_\_ DATE: \_\_\_\_\_  
 CATALOG#: \_\_\_\_\_ TYPE: \_\_\_\_\_

# 1" Continuum Linear LED - Recessed & Surface

## POWER SUPPLY SPECIFICATIONS

Surface mount remote electrical enclosure with input and output knock-outs and removable access plate for maintenance. Prewired Input and Output wiring terminals for clean and easy installation. Total weight 6 to 12lbs.

## ELECTRICAL BOX SPECS

Remote LED Dimmable Drivers are class 2 rated and customly configured to operate with Dalume's 1" & 2" Continuum series lighting package. All Drivers equipped with Over voltage, Over temperature & Overload protection plus short circuit protection per UL8750.

For standard wiring please reference wiring diagram, for special circuit wiring, contact factory. Contact Factory for driver/wiring details.

## 0-10V ANALOG DIMMING

120-277V 50 - 60 (Hz) input, 1% dimming. -40 C to 45 C Operating Temp. EMI and RFI; Meets FCC part 15 (Class A)

## 120V/277V, MLV/INCANDESCENT 3WIRE DIMMING

120V 50Hz or 277V 60Hz input. -20 C to 45 C Operating Temp. For RGBW, DALI specifications, contact Factory. 1/2"

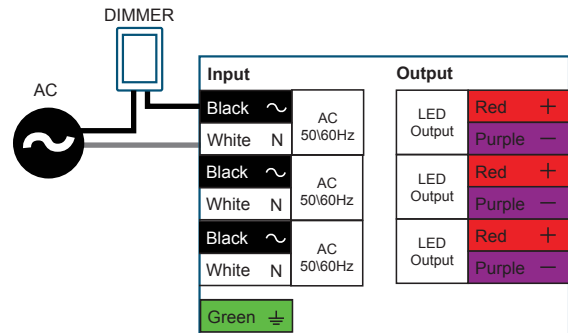
## DEJ10

1 Driver Capacity / 1 Circuit Remote Enclosure:  
 Wall mount design includes removable covers fastened with plated steel screws with a unpainted 20 ga. steel finish. Knockouts included: (2)1" K.O's

## DEJ40

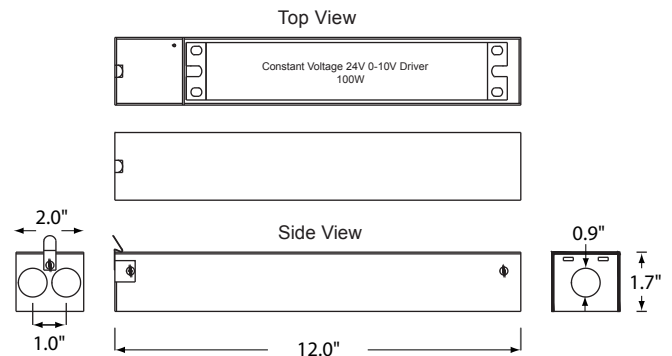
2-4 Driver Capacity / 2-4 Circuit Remote Enclosure:  
 NEMA 1 removable covers fastened with plated steel screws with a unpainted 16ga. steel enclos finish.  
 Knockouts included: (6) x 1/2" to 3/4" K.O's, (2) 3/4"-1" K.O's

## WIRING DIAGRAM (Typical)

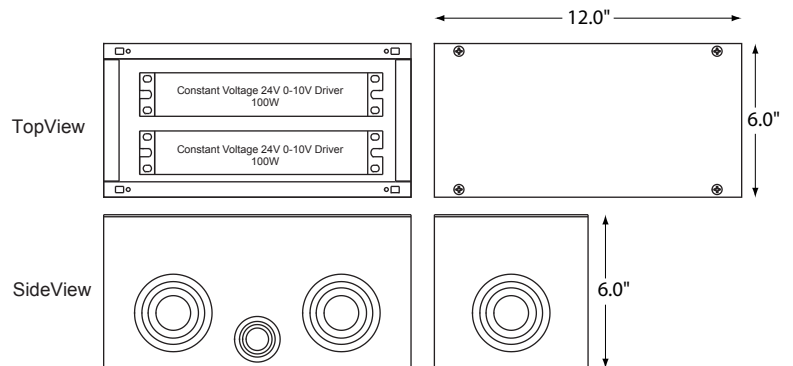


## DEJ101

TOP & SIDE VIEW



## DEJ401\*



\* DEJ402, 6" Depth

## DROP VOLTAGE CHART

Total Nominal Wattage of Driver	Maximum Cable Length (feet) at Full Load		
	12 Gauge	14 Gauge	16 Gauge
45W	N/A	N/A	100'
120W	125'	100'	75'
200W	100'	75'	Do Not Use
300W	75'	Do Not Use	Do Not Use