

PROJECT NAME: _____ DATE: _____
 CATALOG#: _____ TYPE: _____

1" Continuum Linear LED Pendant & Surface

APPLICATION

Indoor damp or dry locations only. Ideal for Modern minimalist spaces including Education, Retail Office, Residential, and Hospitality.

DESCRIPTION

Slim and sleek LED system features low profile aluminum extrusion with white diffusing lens to deliver a pure shadow-free hotspot-free channel of light.

MOUNTING

The system may be secured directly to a structural for Surface Mounting (**DSM**) or be Penant mounted with 60" power & cable canopy included.

PERFORMANCE/OPTICS

3 LED lumen output packages available for various applications (375Lm – 1137 Lm per Ft.) and multiple Color Temperature options. LED boards are protected from environmental dust and moisture with white snap-in lens.

REMOTE POWER SUPPLY

120-277V, or 347V input, ELV, 0-10V, DALI dimming protocols. Surface mount remote electrical enclosure with multiple knockouts & removable access plate for maintenance. Pre-wired In/Out wiring terminals for clean and easy installation. Recommended 75' or less distance to luminaire with 16 AWG wire. See Power Source Specifications for longer distances and other details. For recessed enclosure, consult factory.

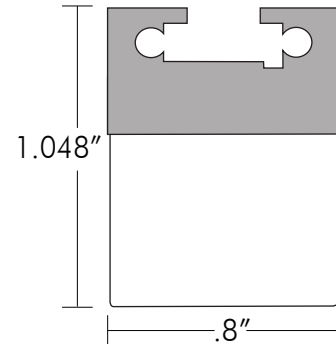
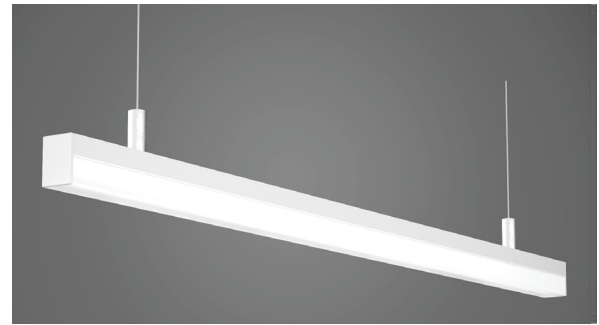
FINISHES

Standard interior color white. (Semi Gloss: Cardinal T007-WH121/RAL9003) white. For custom RAL colors (**CC**) are available, please specify RAL# or Cardinal Paint#

LISTING ETL listed to UL Standards for dry or damp locations.

WARRANTY 5-year factory warranty.

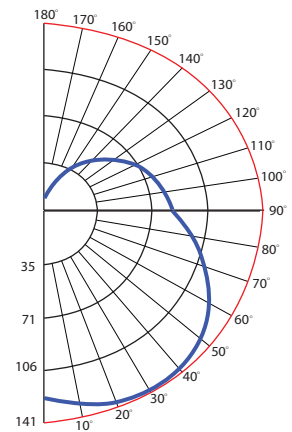
Made to order in USA.



PERFORMANCE

IES INDOOR REPORT
DCR-12W-35K.IES

TOTAL RATED LAMP LUMENS 1137



LUMINANCE DATA (cd/sq.m)

Angle In Degrees	Average 0-Deg	Average 45-Deg	Average 90-Deg
45	28040	15531	13426
55	31352	14860	12554
65	36516	14157	11664
75	46706	13477	10789
85	79575	13189	10183

Ordering:

Example: DCR-4W-27K-D-UD-CC

Ordering	Channel Length	Lumen Package per Foot	COLOR TEMP	MOUNTING	DIMMING DRIVER	OPTIONS
DCR	1: 1 Ft. 2: 2 Ft. 4: 4 Ft. 8: 8 Ft. S: X Ft.	-4W: (375 LM) -9W: (750 LM) -12W: (1137 LM)	-AMB: Warm Amber* ^{1,3} -27K: Incandescent White* ^{1,3} -30K: Warm White* -35K: Neutral White -40K: Cool White -RGBW: Color Changing ³	-D: Direct Pendant -DSM: Surface Mount	-UD: -0-10V (120/277V) ² -MLV: 120V Dim* ¹ -ELV: 120V Dim ³ -34V: 347V -DL: DALI*	-CC: Custom Color* -EM: EM Back-Up

¹Call for pricing.

²Consult Factory if one Driver per Fixture/Circuit wiring is required. Otherwise, the factory will supply a predetermined number of Drivers to power the entire System.
³12W per ft not available.

*Special Order Item, extended lead times may apply. Consult factory.
X - Specify channel length to 2" increments as to foot decimals.
Example: 4" Length to be 0.33'

1" Continuum Linear LED Pendant & Surface

POWER SUPPLY SPECIFICATIONS

Surface mount remote electrical enclosure with input and output knockouts and removable access plate for maintenance. Prewired Input and Output wiring terminals for clean and easy installation. Total weight 6 to 12lbs.

ELECTRICAL BOX SPECS

Remote LED Dimmable Drivers are class 2 rated and customly configured to operate with Dalume's 1" & 2" Continuum series lighting package. All Drivers equipped with Over voltage, Over temperature & Overload protection plus short circuit protection per UL8750.

For standard wiring please reference wiring diagram, for special circuit wiring, contact factory. Contact Factory for driver/wiring details.

0-10V ANALOG DIMMING

120-277V 50 - 60 (Hz) input, 1% dimming. -40 C to 45 C Operating Temp. EMI and RFI; Meets FCC part 15 (Class A)

120V/277V, MLV/INCANDESCENT 3WIRE DIMMING

120V 50Hz or 277V 60Hz input. -20 C to 45 C Operating Temp. For RGBW, DALI specifications, contact Factory. 1/2"

DEJ10

1 Driver Capacity / 1 Circuit Remote Enclosure:
 Wall mount design includes removable covers fastened with plated steel screws with a unpainted 20 ga. steel finish. Knockouts included: (2)1" K.O's

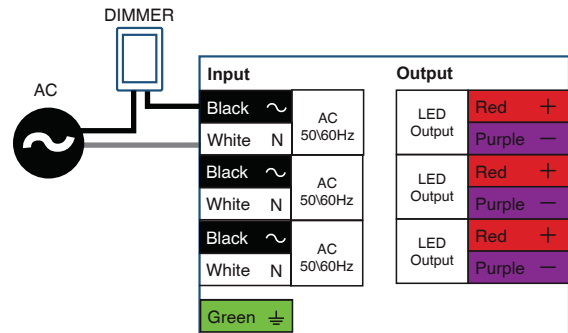
DEJ30

2-3 Driver Capacity / 1 Circuit Remote Enclosure:
 Wall mount design includes ventilation slots, removable cover fastened with plated steel screws with a white powder coat enclosure finish. Knockouts included: (6) x 3/8" K.O's.

DEJ40

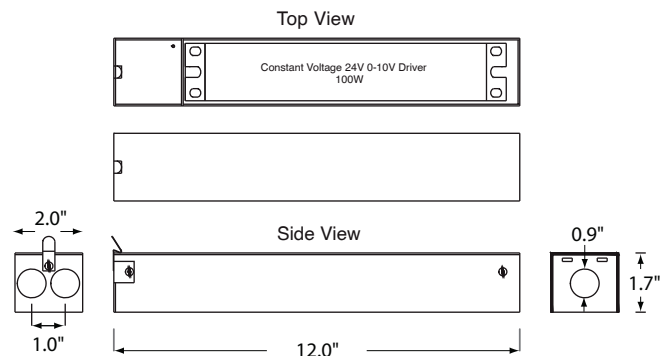
2-4 Driver Capacity / 2-4 Circuit Remote Enclosure:
 NEMA 1 Wall mount design includes removable covers fastened with plated steel screws with a unpainted 16ga. steel enclosure finish. Knockouts included: (6) x 1/2" to 3/4" K.O's, (2) 3/4"-1" K.O's

WIRING DIAGRAM (Typical)

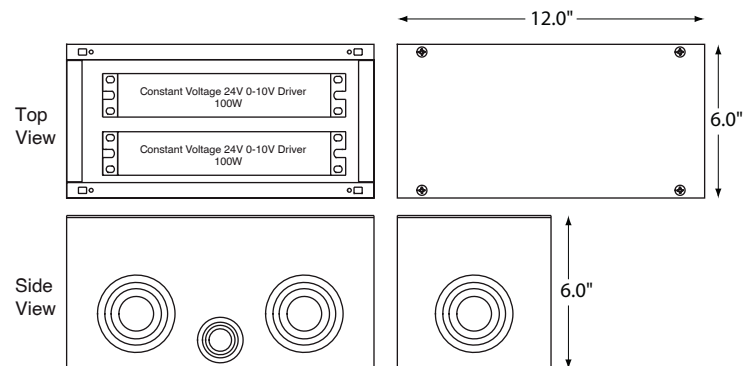


DEJ101

TOP & SIDE VIEW



DEJ401*



* DEJ402, 6" Depth

DROP VOLTAGE CHART

Total Nominal Wattage of Driver	Maximum Cable Length (feet) at Full Load		
	12 Gauge	14 Gauge	16 Gauge
45W	100'	N/A	N/A
120W	75'	100'	125'
200W	Do Not Use	75'	100'
300W	Do Not Use	Do Not Use	75'