

Continuum Recessed Linear LED (8W/12W/17W)

Housing: Continuous, 6063-T5 extruded aluminum profile 2.57" wide x 1', 2', 4', 5' 6", 8' or 10' long. Joined with connecting brace for ease of installation to assure a uniform appearance.

Electronic Driver/Gear Box: Electronic 96W Max. 120V/277V input, 24V output. Active PFC to conserve power consumption. Over voltage, over current and short circuit protection. Auto recovery. UL Listed.

0-10V Dimming Control 10% < Dimming (see Dalume.com for compatible dimmers). Emergency options available.

This product complies with IEEE C62.41 for surge endurance up to 2.5KV. Additional surge protection with this unit is recommended (supplied by others). Surge damage is not covered by warranty. Total wattage load is determined by the driver and number of modules used, please contact factory for details.

Mounting/Power Source

Universal mounting clips allow installation in:

- Drywall/sheetrock walls or ceilings (1" Max Thickness)
- 5/8" to 15/16" exposed T-bar Grid ceilings.
- Pull Down Gear Box (DCC) for sheetrock applications that require service from below.
- Integral Gear Box (DCG) for T-grid system/sheetrock ceilings with above access for service.
- Remote Gear Box (DCR) for installations that require servicing from an auxiliary location.

Self-Flanged: 1/2" (12mm) wide flange runs full lengths of both sides and is part of the main extruded body.

Shielding

- Proprietary high-gloss secondary reflectors direct beam efficacy.
- Thermo-plastic white louvers for optimal glare control. (optional)
- High Performance frosted lens neutralizes multi-shadow effect. (optional)
- Proprietary wall-wash lens deflect light 30 degrees. (optional)
- 1/2" Drop or 2" Drop accent clear frosted lens (optional)

Finishes: Standard interior & flange color white. For custom RAL colors (CC) are available, please specify RAL# or Cardinal Paint#

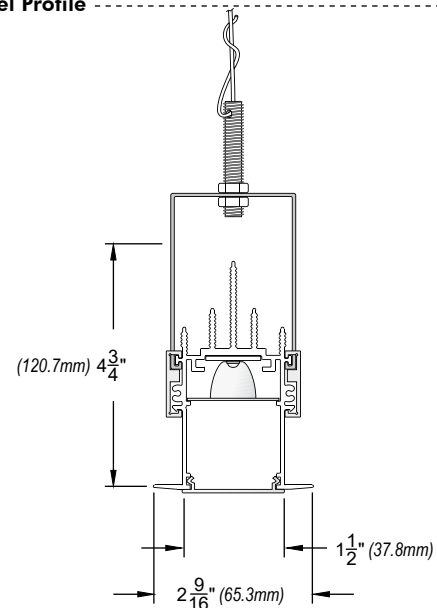
Listing: ETL listed to UL Standards for dry or damp locations.

Optics: Premium binned LEDs provide exceptional reliability, performance and color consistency.

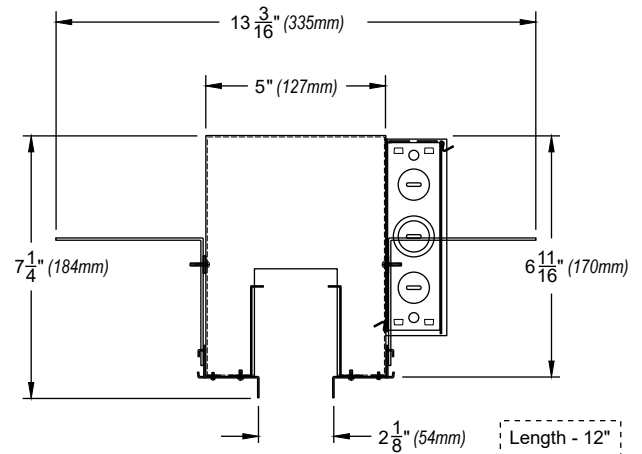
- High CRI of 88 for accurate color presentation.
- Lumens Delivered :**8W Module / 17W Module per foot**
- Louver :375 lm/710 lm
- Open :345 lm/650 lm
- 30° Wall Wash :505 lm/575 lm
- Frosted :290 lm/550 lm
- Color Temperatures (+/- 100K)
- Warm :3,000K
- Neutral :3,500K
- Cool :4,000K
- Lumen Maintenance > 70% of initial lumens @ 60,000 hours with 40°C Ambient
- Beam Angle: 70° Horizontal x 85° Vertical



Channel Profile



DCC Option



Example: DC108-41K-2

Ordering	CHANNEL	WATT/FT.	COLOR TEMP.	TRIM OPTIONS	FINISH	POWER SOURCE	DRIVER
	DC1 :1 Ft.	08² :8W	-27K :Incandescent White	-0 :Open	Blank :None	-DCC :Pull-down Canopy	Blank :120V
	DC2 :2 Ft.	12¹ :12W	-30K :Warm White	-1 :Louver	-CC⁵ :Custom Color	-DCG :Integral Gear Box	-27 :277V
	DC4 :4 Ft.	17^{3,4} :17W	-35K :Neutral White	-2¹ :Lens		-DCR :Remote Gear Box	-D :Dimmable
	DC5 :5 Ft.	18² :18W	-40K :Cool White	-3¹ :30° Wall Wash			-EM :Emergency Back-Up
	DC6 :6 Ft.		-RGBW^{2,4,5} :Color Changing	-.5DP :1/2" Drop Lens			
	DC8³ :8 Ft.			-2DP :2" Drop Lens			
	DC10³ :10 Ft.						

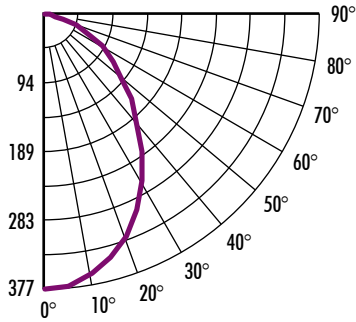
² Special order item, extended lead times may apply. Consult factory.
¹ 12W LED modules for use with lens and Wall Wash trim option only.
³ Available for 8W per foot only.
⁴ 17W Modules run 5' max per power source.
⁵ Custom color has extended lead times.
 Note: Total luminaire wattage load is determined by the driver and number of modules used. Please contact factory for additional details.

2022.10.26

**Continuum Recessed Linear LED
 (8W/12W/17W)**

IESNA: LM-63-2002 CRI: 88
 Power Factor: 0.99 L70: 60,000 Hrs. @ 40°C Ambient

File Name: DC208-30K-0.IES



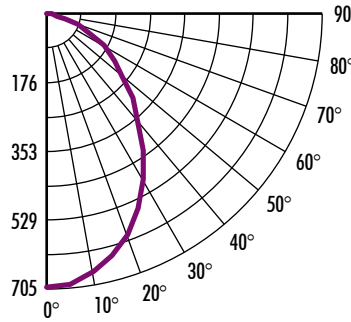
**Open Trim with
 (2) 8W Module**

Lumens Delivered:
 691 lm

Luminance Data (cd/sq.m)

Angle	Avg. 0-Deg	Avg. 45-Deg
45	10505	8854
55	8787	7400
65	7030	6026
75	4715	4510
85	3044	3652

File Name: DC217-30K-0.IES



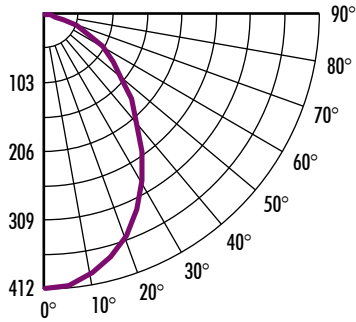
**Open Trim with
 (2) 17W Module**

Lumens Delivered:
 1298 lm

Luminance Data (cd/sq.m)

Angle	Avg. 0-Deg	Avg. 45-Deg
45	19672	16583
55	16401	13836
65	13187	11288
75	8785	8441
85	5627	6650

File Name: DC208-30K-1.IES



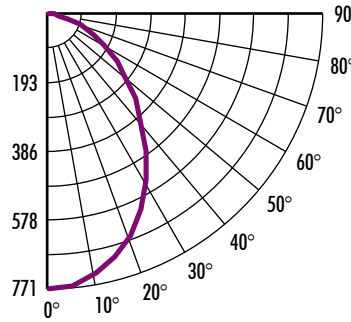
**Louver Trim with
 (2) 8W Module**

Lumens Delivered:
 755 lm

Luminance Data (cd/sq.m)

Angle	Avg. 0-Deg	Avg. 45-Deg
45	11476	9672
55	9600	8084
65	7680	6583
75	5151	4927
85	3325	3990

File Name: DC217-30K-1.IES



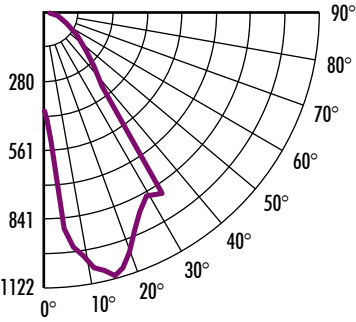
**Louver Trim with
 (2) 17W Module**

Lumens Delivered:
 1419 lm

Luminance Data (cd/sq.m)

Angle	Avg. 0-Deg	Avg. 45-Deg
45	21438	18096
55	17596	15080
65	14348	12343
75	9647	9130
85	6139	7673

File Name: DC212-30K-3.IES



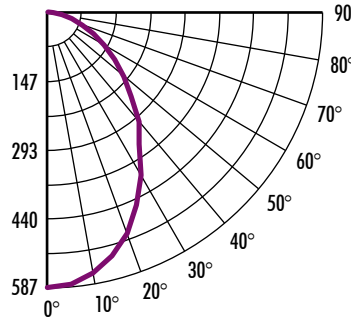
**Frosted Trim with
 (2) 12W Module**

Lumens Delivered:
 1184 lm

Luminance Data (cd/sq.m)

Angle	Avg. 0-Deg	Avg. 45-Deg
45	16902	32564
55	12390	16412
65	10701	12119
75	9449	8022
85	8998	5821

File Name: DC212-30K-2.IES



**Frosted Trim with
 (2) 12W Module**

Lumens Delivered:
 1030 lm

Luminance Data (cd/sq.m)

Angle	Avg. 0-Deg	Avg. 45-Deg
45	17574	16547
55	15013	14174
65	12598	12158
75	10248	10565
85	7644	11374

File Name: DC212-30K-3.IES

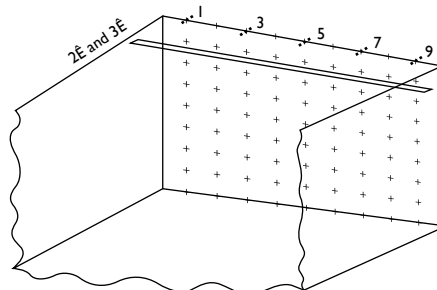
MOUNTING HEIGHT	Initial Lumen Output (2 Feet from wall)					Avg: 39.5 Fc Max: 65.1 Fc Min: 20.4 Fc Avg/Min: 1.9:1
	CALCULATION POINTS					
	1'	3'	5'	7'	9'	
8 Ft.	40.2	47.2	48.3	47.2	40.2	
6 Ft.	51.0	63.7	65.1	63.7	51.0	
4 Ft.	29.8	34.6	36.1	34.6	29.8	
2 Ft.	20.4	21.7	23.0	21.7	20.4	

MOUNTING HEIGHT	Initial Lumen Output (3 Feet from wall)					Avg: 30.4 Fc Max: 41.4 Fc Min: 22.9 Fc Avg/Min: 1.3:1
	CALCULATION POINTS					
	1'	3'	5'	7'	9'	
8 Ft.	22.9	26.0	26.7	26.0	22.9	
6 Ft.	30.2	36.5	38.1	36.5	30.2	
4 Ft.	32.7	39.2	41.4	39.2	32.7	
2 Ft.	23.3	26.2	27.9	26.2	23.3	

Wall Wash with (2) 12W Module

Lumens Delivered: 1184 lm

Vertical luminance is calculated with fixture mounted 2' and 3' from wall. Calculation was based on a 10' wide wall, with light fixture run the full length of the wall. Light fixture mounting height is 9'.



Room reflectance: 80-50-20%
 Light Loss Factor: .95

IES files available via www.dalume.com

2022.10.26