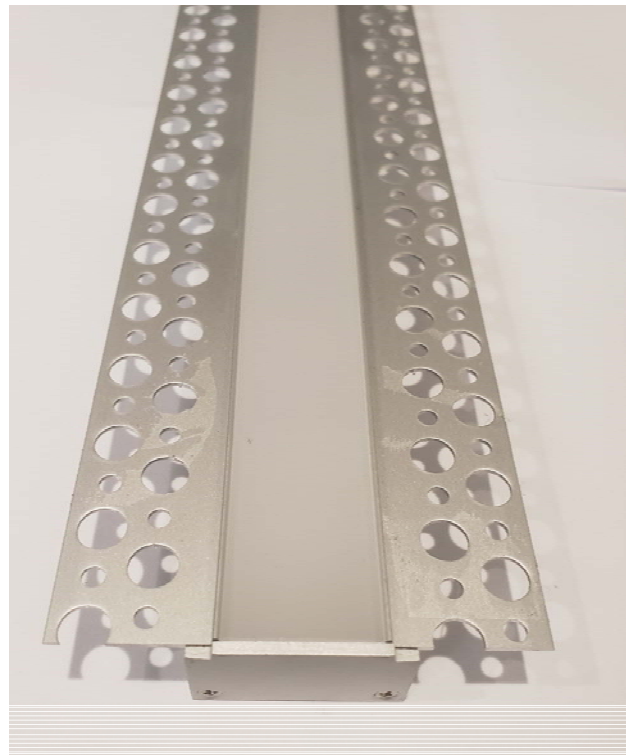


INSTALLING INSTRUCTIONS

DryLyte: DCR-RS – 1" Continuum Recessed Spackle-Flange

SAVE THESE INSTRUCTIONS



DCR-RS Installing Instructions

INSTALLING INSTRUCTIONS

DryLyte: DCR-RS – 1" Continuum Recessed Spackle-Flange

SAVE THESE INSTRUCTIONS

INSTALL AND USE THIS LUMINAIRE FOLLOWING THE NATIONAL ELECTRICAL CODE, YOUR LOCAL ELECTRICAL CODE AND REGULATIONS.

PREPARATION:

- 1). Read and understand instructions completely before installing this luminaire. Installation and electrical wiring of this Luminaire must be done by a qualified licensed electrician.
- 2). Before proceeding with the installation, be sure that the ceiling construction follows the proper requirements.

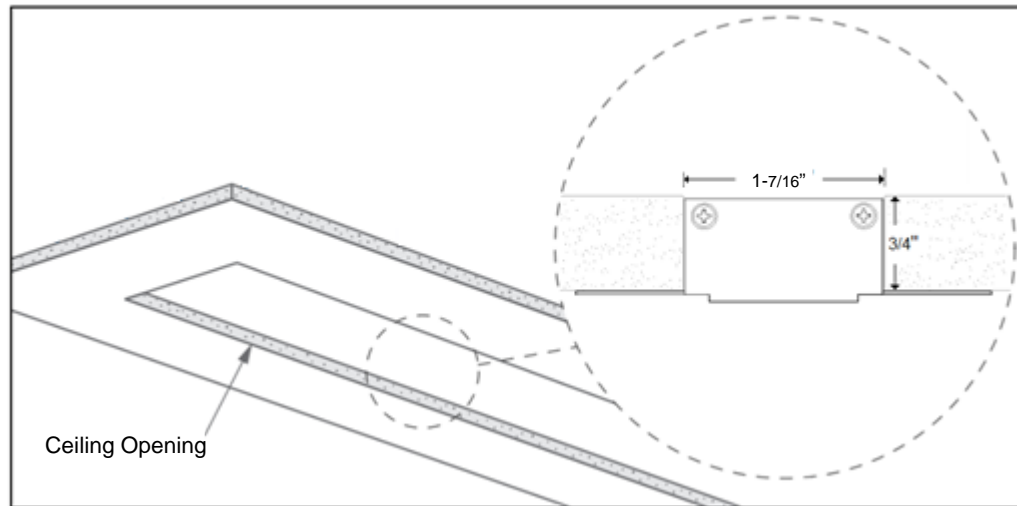


WARNING- Before starting the wire connections, disconnect the power by turning off the circuit breaker or removing the fuse at the fuse panel. Turning the power off using the light switch is not sufficient to prevent electrical shock. This luminaire must be connected with supply wire rated at 90 C. Most dwellings built before 1985 have supply wire rated at 60 C; consult a qualified electrician before installing.

INSTALLING INSTRUCTIONS

DryLyte: DCR-RS – 1" Continuum Recessed Spackle-Flange

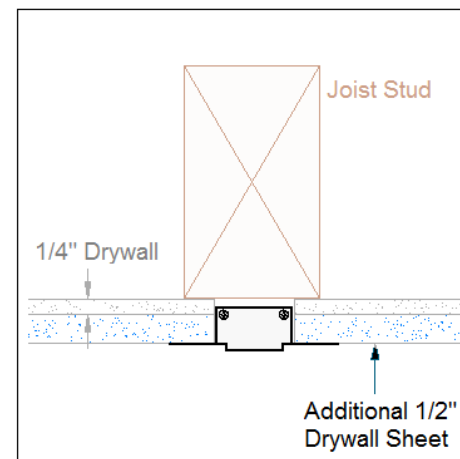
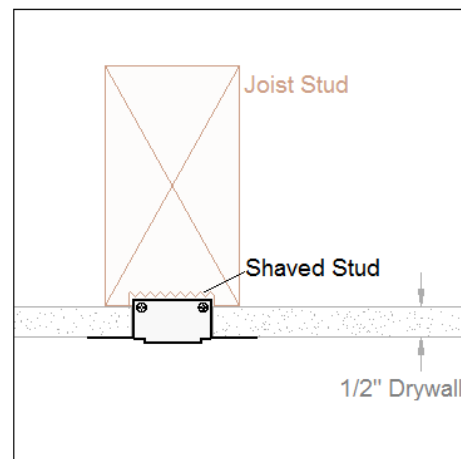
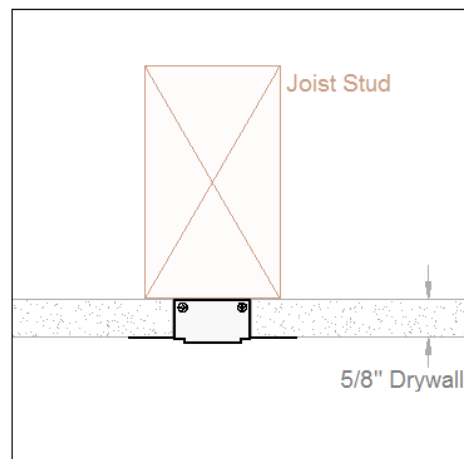
SAVE THESE INSTRUCTIONS



Step 1. CONFIGURE CEILING FRAMING:

a). Configure Ceiling Opening (W: 1-9/16" x H: 13/16" x Length), leave this opening for installation.

b) DCR-RS has the advantage that it can also be installed in an already finished ceiling, without changes for its installation, as shown in the drawing below for the different types of drywall.



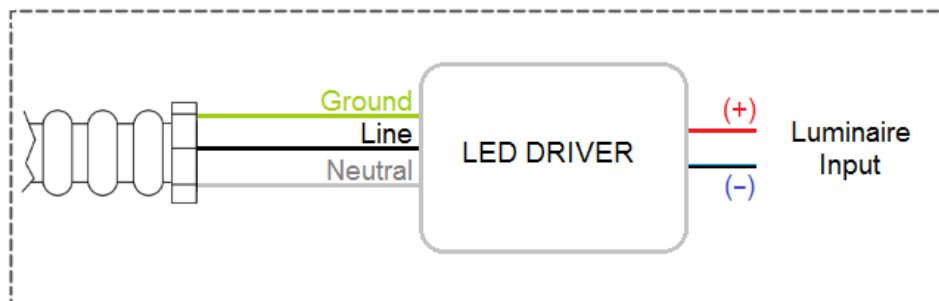
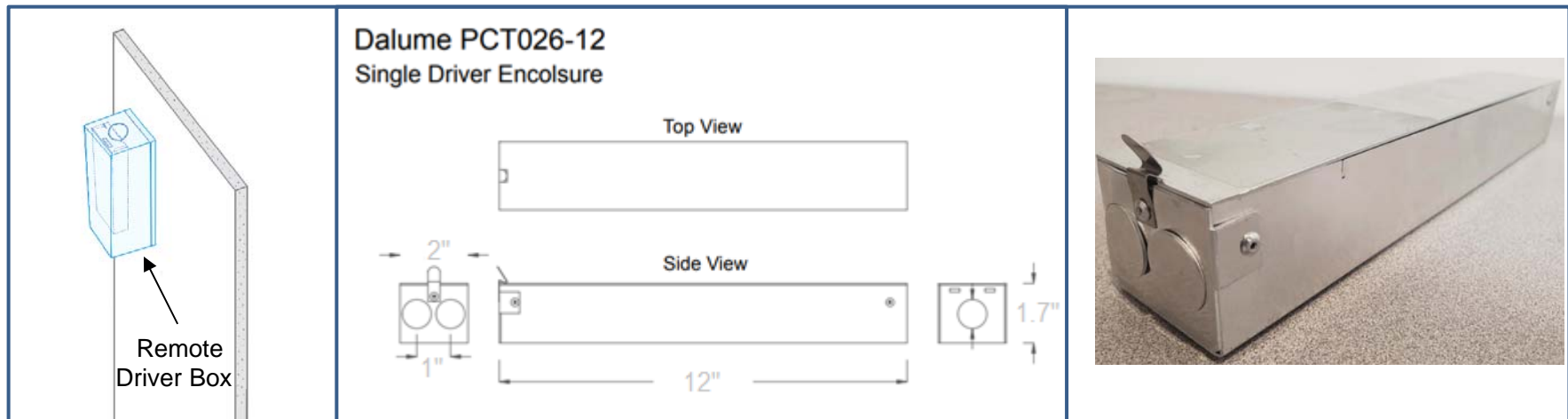
DALUME LIGHTING

EEMA®
LIGHTING GROUP
LOS ANGELES, CA

INSTALLING INSTRUCTIONS

DryLyte: DCR-RS – 1" Continuum Recessed Spackle-Flange

SAVE THESE INSTRUCTIONS



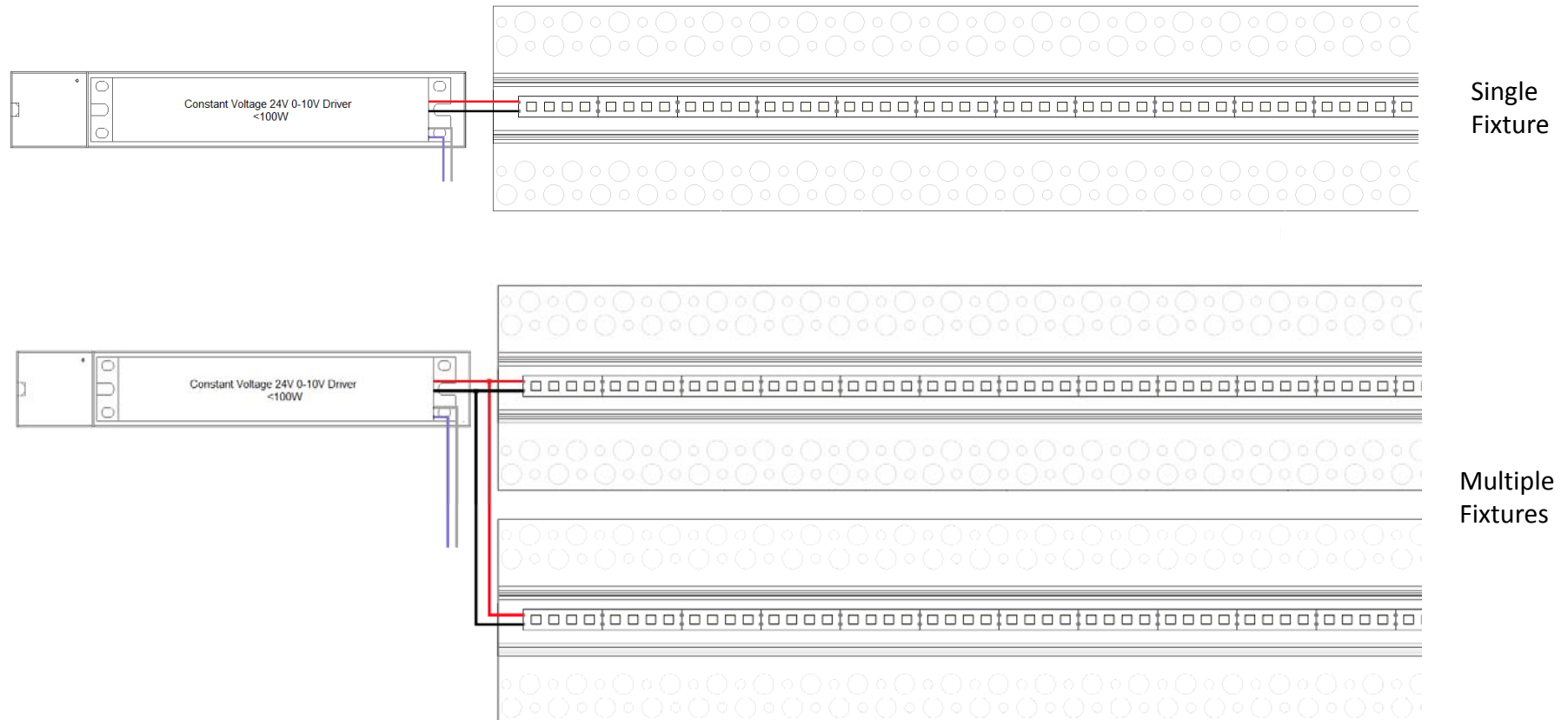
Step 2. INSTALLING ELECTRICAL BOX & REMOTE DRIVER BOX

a) Place the Remote Driver/Enclosure close to Luminaire Opening and make electrical connections, see Wiring Diagram. Run AC Output Wires to Luminaire Connector.

INSTALLING INSTRUCTIONS

DryLyte: DCR-RS – 1" Continuum Recessed Spackle-Flange

SAVE THESE INSTRUCTIONS



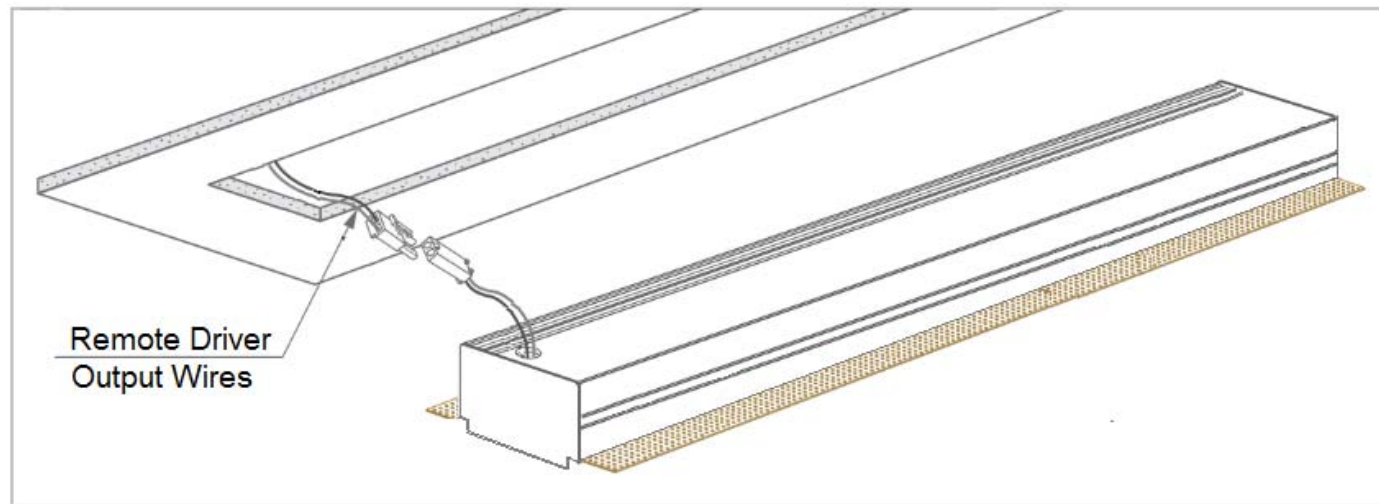
Step 2: INSTALLING ELECTRICAL BOX & REMOTE DRIVER BOX

- b). Make sure fixture leads are properly connected, Red wire (+) goes to positive (Red) output of the driver, and Black Wire goes to negative (Blue) output of the driver.
- c). In case 0-10V system is controlling the drivers make sure Grey/Purple driver wires are connected to the system.

INSTALLING INSTRUCTIONS

DryLyte: DCR-RS – 1" Continuum Recessed Spackle-Flange

SAVE THESE INSTRUCTIONS



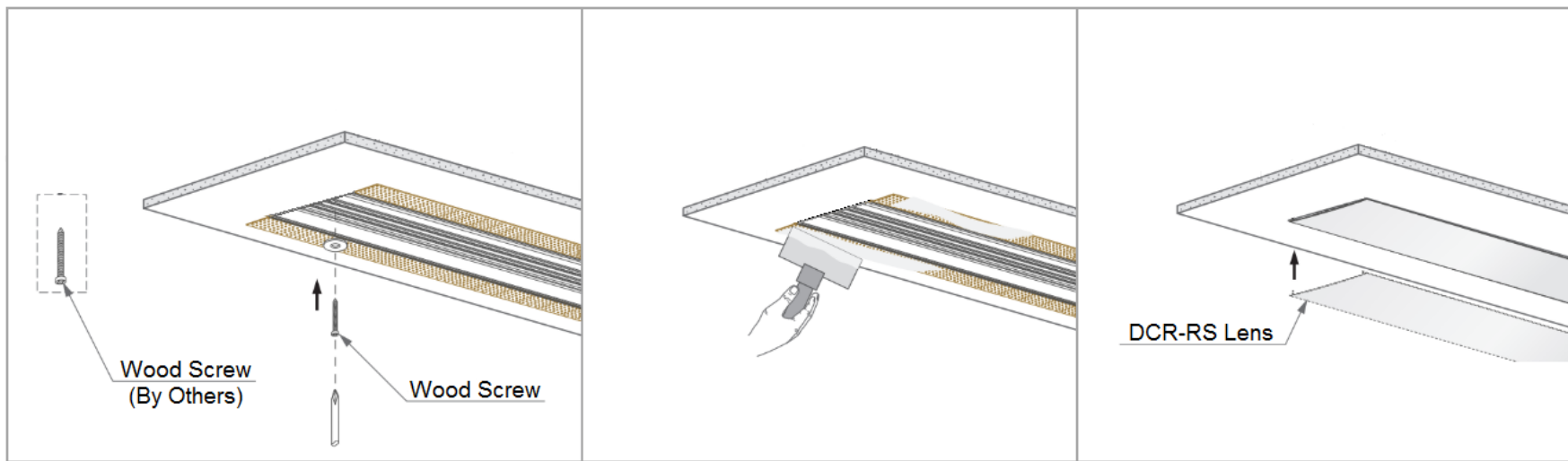
Step 3: POWER TO LUMINAIRE

- a). Run Remote Driver Output Wires close to Luminaire Connector.
- b). Place Luminaire into the ceiling opening and make Output electrical connections.

INSTALLING INSTRUCTIONS

DryLyte: DCR-RS – 1" Continuum Recessed Spackle-Flange

SAVE THESE INSTRUCTIONS



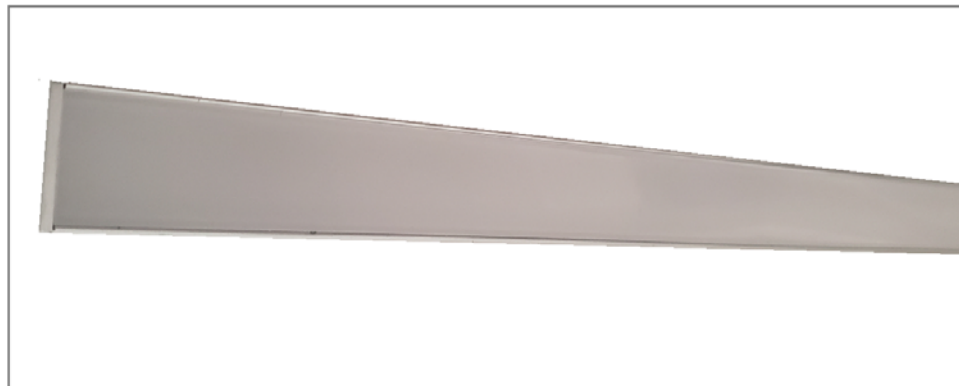
Step 4. INSTALLING LUMINAIRE:

- Remove lens from luminaires, place them on side to prevent damage.
- Insert luminaire into ceiling opening until flanges get flush to ceiling surface. Then, install luminaire to ceiling framing using wood screws and washers (by others).
- Apply plastering compound around the flanges and smooth it away on drywall area to create a smooth linear and clean finish with the ceiling.
- Clean any plastering compound left into the Luminaire opening, then the lens will install properly into the Luminaire channel to produce a smooth finish flush to ceiling.

INSTALLING INSTRUCTIONS

DryLyte: DCR-RS – 1" Continuum Recessed Spackle-Flange

SAVE THESE INSTRUCTIONS



DryLyte - Zero Plenum Linear System
